



Series 1412

Wet Process Station

S
O
L
U
T
I
O
N
S

Clean Air Products' complete line of fume hoods and wet process stations are designed specifically to meet the needs of semiconductor manufacturing operations. With over 20 years of design, manufacturing and service experience, Clean Air Products can supply the complete package tailored to your requirements.

Features

- ❖ Designed for maximum chemical resistance
- ❖ Available in stainless steel, white polypropylene, or fire-retardant white polypropylene
- ❖ Units are available in 3, 4, 5, 6, and 8 ft. widths and 30, 36, and 42 in. depths. Other sizes are available upon request.
- ❖ Superior quality, excellent appearance, and ruggedness have been achieved through a safety-oriented design
- ❖ An extensive list of options are available to meet your application requirements

Standard

1. Bench material: white polypropylene or stainless steel
2. Instrument housing
3. Exhaust duct: polypropylene or stainless steel
4. Work surface: polypropylene or stainless steel
5. Plenum drain: 1 1/2 NPT – to be plumbed by others
6. Front window: sliding – acrylic material
7. Leg levelers: ±1/2 in. adjustment
8. Instrument panel
9. Light switch
10. Fluorescent light: 2 bulbs
11. Electrical junction box
12. Exhaust damper
13. Front and rear exhaust grills
14. 16 in. deep plenum (deeper optional)

NOTE: Standard polypropylene is used. Fire retardant polypropylene is available at additional cost.

Options

- Bottom storage cabinet
- Main circuit breaker
- Ground fault electric outlet – 4 plex, 120 volt
- EMO switch
- Magnehelic gage
- Exhaust alarm
- Sink – polypropylene or stainless steel
- Exhaust port – out the rear of duct
- Counterweighted front sliding window
- Hinged front window
- Optional window material
- Amber sleeves on lights
- Straight front on hood
- 36 in. depth
- Front recessed control panel in plenum
- Cascades; dump rinsers; ultrasonic cleaners; heated baths; filtered etch baths; goosenecks; DI water loops; fire extinguishing systems; sinks; tanks; and more
- Optional features and sizes

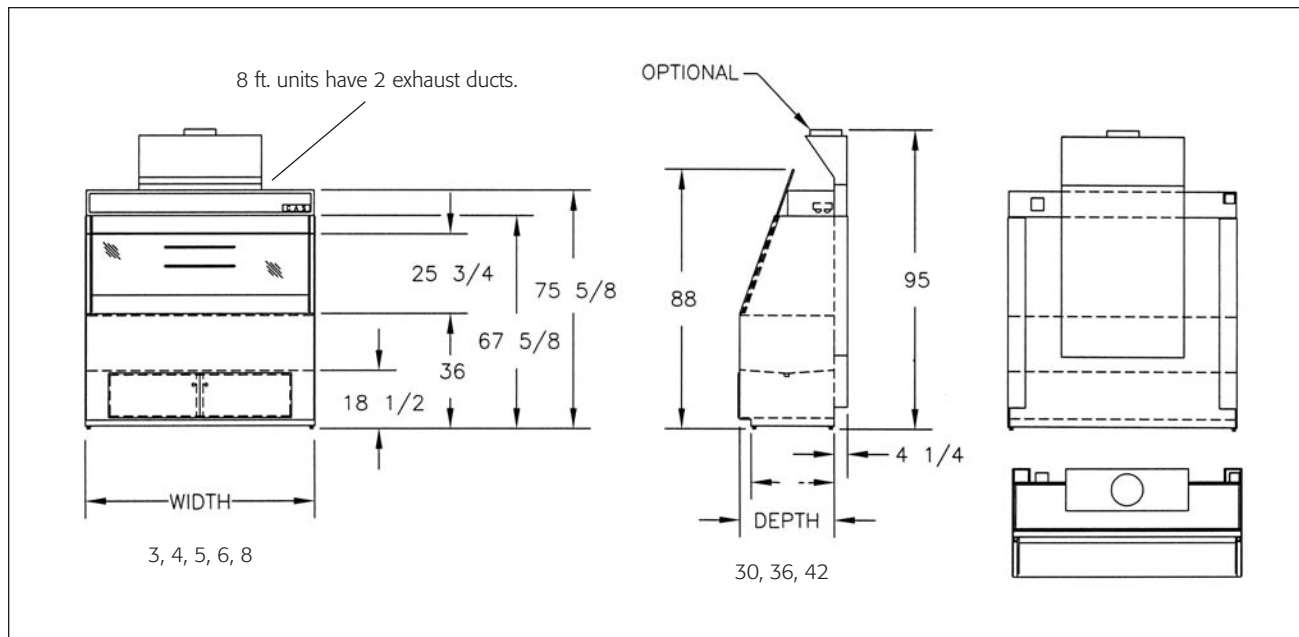
Sizes

Units are available in 3, 4, 5, 6, and 8 ft. widths and 30, 36, and 42 in. depths. Other sizes are available upon request.

Please contact the factory for additional details regarding construction and options.

Guarantee

A written 1 year warranty is furnished with each station.



Specifications subject to change. Please contact factory for details.